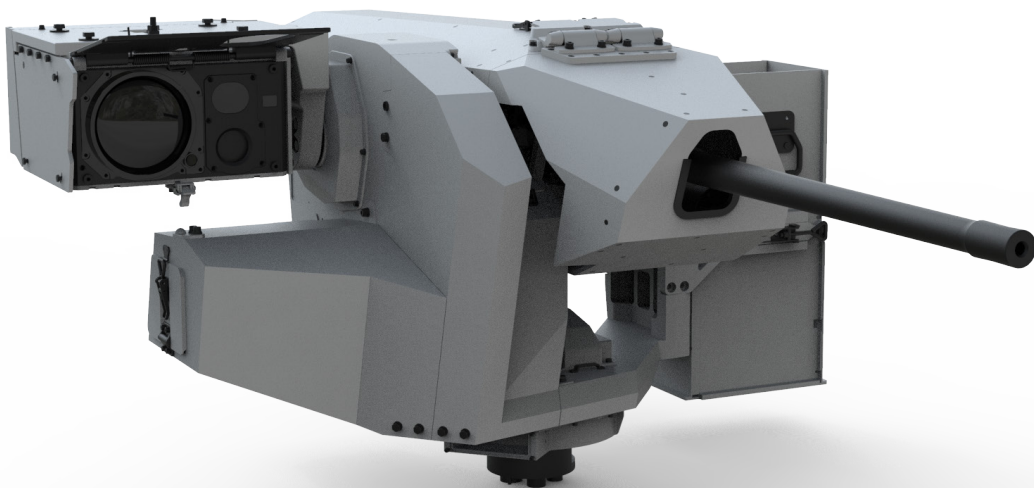


STAMP-2L

REMOTE CONTROLLED
STABILIZED WEAPON SYSTEM

REMOTE CONTROL
AUTOMATIC TARGET TRACKING
AUTOMATIC BALLISTIC CALCULATION
EFFECTIVE AGAINST ASYMMETRIC THREATS





STAMP-2L

REMOTE CONTROLLED STABILIZED WEAPON SYSTEM

ASELSAN's remotely operated stabilized weapon system (STAMP-2L) combines low silhouette and lightweight with excellent firepower to serve tactical needs of warfare.

Advanced Features

- Remote Control
- Automatic target detection and tracking
- Automatic ballistic calculation
- Gyro aided stabilization
- Capability for integration to external sensors
- Day/night operation under various weather and terrain conditions
- Manual operation as a back-up mode
- High reliability
- Easy to integrate
- Back-up battery unit

Applications

- Asymmetric Warfare
- Counter-Terrorism / Ant-Smuggling
- Coastal Defence
- Base Protection
- Air Defence

Gun Options

- 12.7mm Machine Gun
- 7.62mm Machine Gun (Optional)

Naval Platforms

- Patrol Boats
- Coast Guard Boats
- Combat Ships
- Landing Ships

Technical Description

- Turret weight: 150kg (excluding gun and ammunition)
- Gun Elevation Angle : -20° / $+60^{\circ}$
- Gun Bearing Angle : $n \times 360^{\circ}$ (with slip ring)
- Power Supply: 28 VDC (115 VAC and 220 VAC optional)
- Ammunition capacity: 200 pcs. (NATO 12.7x99mm)
- Maximum Speed: $60^{\circ}/s$ (traverse & elevation)