



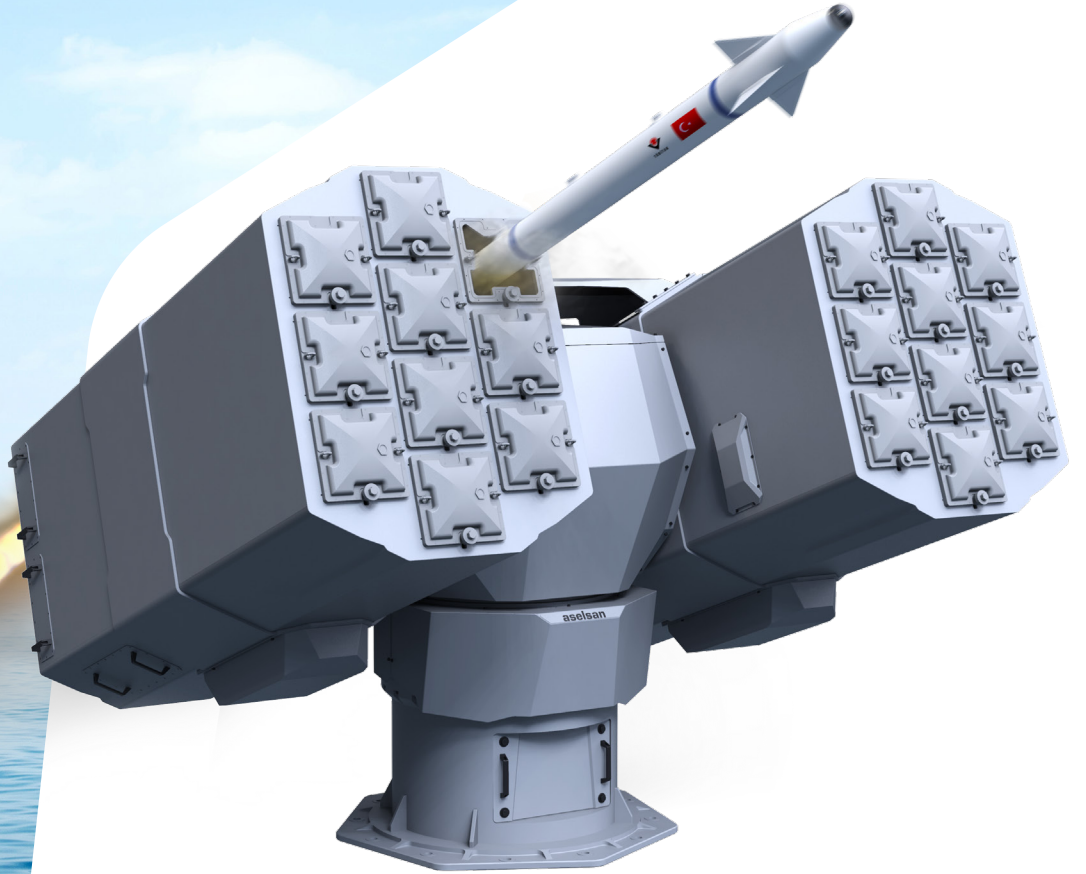
GÖKSUR

aselsan

100-N

POINT DEFENSE MISSILE SYSTEM

#AirDefense



GÖKSUR 100-N is Point Defense Missile System (PDMS) that is developed by ASELSAN for the self-defense of naval platforms and provide high effectiveness especially against sea-skimming anti-ship and cruise missiles.



aselsan

POINT DEFENSE MISSILE SYSTEM

The launcher; featuring high speed, stabilization and a modular design, is developed to accommodate an adaptable number of Guided Missiles on various types of vessels and to provide 360-degree air defense capability.

System Specifications

- 15 km effective range
- Effective against sea-skimming anti-ship and cruise missiles, fighter jets, helicopters, UAVs
- High probability of kill in single shot
- Advanced Fire Control System enhanced with AI features
- Multiple target engagement
- Modular design for different types of vessels
- Ability to operate integrated to Combat Management Systems
- Guided Missile with new generation IIR Seeker
- Enhanced guidance with Datalink

Guided Missile Specifications

- Diameter : 160 mm
- Length : 3300 mm
- Weight : 142 kg
- Thrust Vector Control
- Folded wings
- Fragmentation Warhead
- Laser Proximity Sensor
- Short reaction time
- Outstanding maneuverability
- Bidirectional encrypted Datalink
- Advanced guidance algorithm adapted to maritime conditions

