

# AKREP | 100-N

FIRE CONTROL RADAR

#Radar



**aselsan**

# AKREP | 100-N

## FIRE CONTROL RADAR

ASELSAN AKREP 100-N, incorporating modern technology, advanced digital signal processing capabilities, and advanced electronic protection techniques, utilize solid-state power amplifiers which allows them to continue operating with graceful degradation.

AKREP 100-N provide high accuracy and high update rate 3D target track data to meet the track quality requirements of fire control systems.

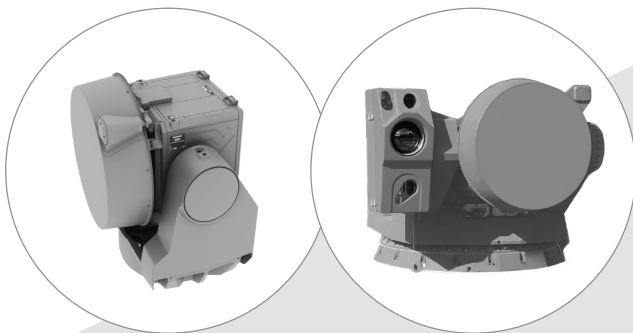
For track initiation, AKREP 100-N can be designated to an existing track, video or plot displayed on Combat Management System consoles.

AKREP 100-N is equipped with an E/O suit consisting of an IR camera, a dayTV and laser range finder. Based on the operational requirements, Radar and E/O Suite can be used together or independently for target tracking as needed.



### Technical Features

- Ku Band, 30 km Instrumented Range
- Highly Accurate Range and Angular Track Data
- Fast Reaction Time from Detection to Tracking
- EO Suite with IR Camera, DayTV and Laser Range
- Fusion of EO and RF Tracking
- Slave Tracking on CMS Designation
- Extensive Electronic Counter-Counter Measures
- Fire Control Support (Pre-Action/In-Action Calibration)
- Robust Tracking on High Maneuvering Targets
- Different Search Patterns in Defined Sectors
- Track Split / Weapon Launch Alert
- Operator Selectable Wartime Waveform and Frequency Sets
- RF/Laser Prohibit Zones
- Blanking Interface for Electronic Support Measures and LAZER Warning Systems



Specifications are subject to change without any notice. | All tolerances are within  $\pm 10\%$ .